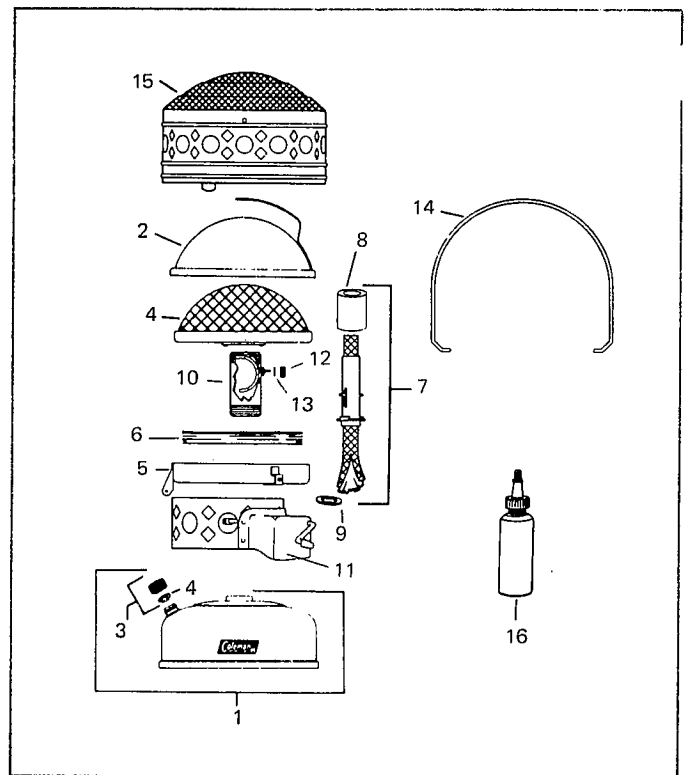


MODEL 511A



MODEL 513

Code No.	Description	Model 511A
1	Fuel Fount	511A5601
2	Snuffer Cap	511-5355
3	Filler Cap	425A1401
4	Burner Head Assembly	511C5155
5	Pan Assembly	511A5255
6	Pan Insulation	511A1321
7	Wick Assembly with Boot	511B6065
8	Filter (Wick)	511C1335
9	Wick Gasket	511-1091
10	Support Tube	511B1035
11	Collar	511A1341
12	Bail (Complete)	511B1311
13	Canopy Assembly	511A5305
14	Squeeze Bottle	249-9115

Code No.	Description	Model 513
1	Fuel Fount	513-5601
2	Snuffer Cap	511-5355
3	Filler Cap	425A1401
4	Burner Head Assembly	511C5155
5	Pan Assembly	511A5255
6	Pan Insulation	511A1321
7	Wick Assembly with Boot	513K5075
8	Filter (Wick)	511C1335
9	Wick Gasket	513C1091
10	Support Tube	513B5085
11	Collar & Regulator	513B5025
12	Cap (Control Assembly)	513-1631
13	Gasket (Control Assembly)	513-1641
14	Bail (Complete)	511B1311
15	Canopy Assembly	511A5305
16	Squeeze Bottle	249-9115